



Terry and Denise O'Shea

# CENTENARY LANDSCAPING SUPPLIES

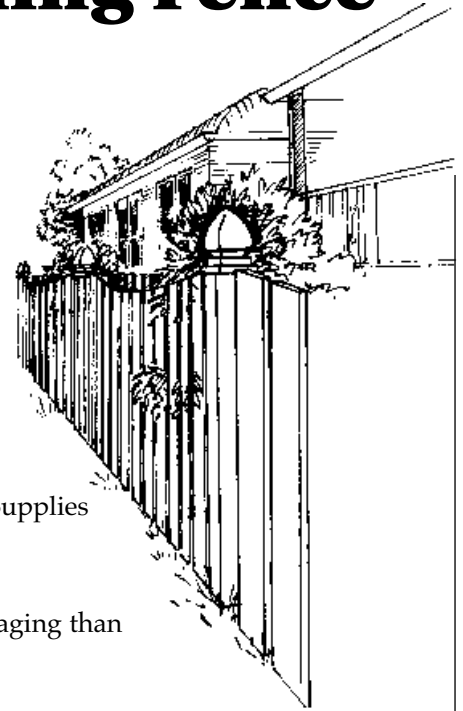
## Do it Yourself Landscape Guide

# How to Build a Timber Paling Fence

A house without a fence can look a little isolated, exposed and have that unfinished look. A well designed and built fence makes a strong statement and gives a firm definition to your property. A safe place to live for you and your family.

**Before you start your fencing project make sure you consider the following ...**

- \* If planning a boundary fence discuss your plans with the neighbours. Depending on circumstances you may be able to share the cost.
- \* Generally fences up to 1800mm high do not require building permits. However check with your local authority building inspector on possible bylaws concerning heights or other requirements.
- \* Choose a style of fence which will harmonise with your home. You'll discover the many types of timber fences available when you visit Centenary Landscaping Supplies and talk to the team.
- \* If the fence is to act as a wind-shelter it should have equal parts solids and gaps. Wind tunnel tests show that a solid fence creates turbulence greater and more damaging than the wind it is meant to prevent.



The majority of fence styles can be built around a simple post and rail frame easily constructed following these steps.

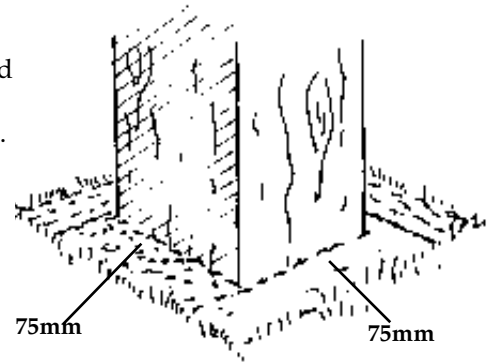
## Step 1: Setting Out the Fence

Mark in where you intend to put the fence with a string line attached to pegs. Position this line to indicate where the front of the posts will be. Mark out along the line the position of each post 2.4m apart. This distance suits our rail lengths of 4.8m allowing the rail to span one post.

## Step 2: Excavating the Holes

Post holes should be dug 700mm deep using a post hole borer or a squared edged garden spade. Check the string line frequently for straightness and position. And make sure you remove all the loose material from the holes. The width of the hole should leave a 75mm gap between the post and the edge of the hole.

You'll need to put Drainage Gravel at the bottom of the hole to assist with drainage and to adjust the height of the poles.

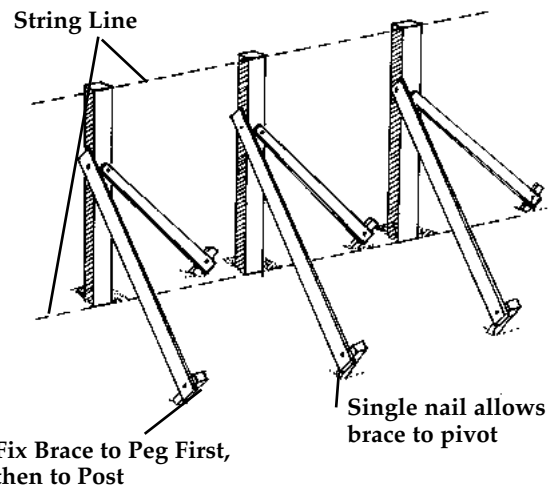


## Step 3: Positioning the Posts

Post sizes for various height fences are shown in the Table below. Position the end or corner posts to within 1 mm of the string line. Spend some time adjusting the post height by removing or adding Drainage Gravel as required. Securely brace the posts in position making sure they are plumb in both directions.

Attach another string line across the top of the end or corner posts to act as a height guide when positioning the intermediate posts. Place these to within 1 mm of the string lines or choose to cut to topoff when the job is finished

Brace and plumb posts in both directions.



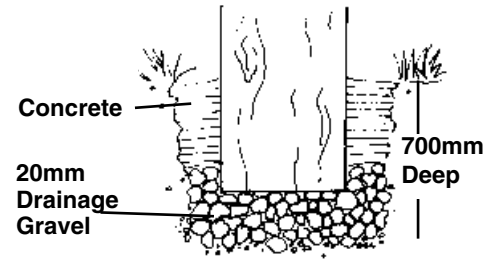
Post Height	Post Size (when max spacing 2400mm)
1200mm - 1800mm	100mm X 75 mm
<b>For corner and gate posts</b>	
1200mm - 1800mm	100mm X 100mm

Fix Brace to Peg First, then to Post

Single nail allows brace to pivot

## Step 4: Concreting in the posts

Before you concrete in the posts, check again that they're all in line, plumb, accurately spaced and securely braced. Then remove the stringline. Carefully shovel concrete (proportions 1 part cement to 5 parts concrete blend), into each post hole taking care not to disturb the sides. Make sure the concrete is well distributed around the post (and not under) by tamping with a piece of 50 X 50 timber. Fill the holes to ground level. If you're using Quick Dry Cement you can continue building the fence the next day. Otherwise you'll have to leave 7 days for the concrete to harden.



## Step 5: Fixing the Rails

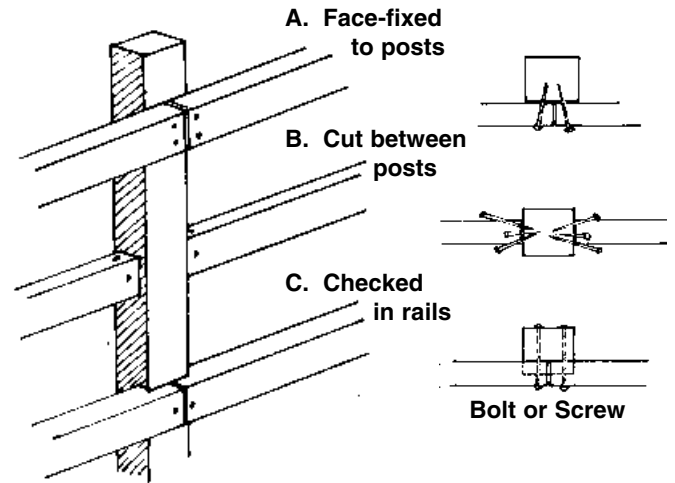
Fences up to 1200mm in height require two rails, while fences over this height require at least three rails. The table below shows which rail to use. It's usual to fix the bottom rail a maximum of 150mm above the ground and the top rail 150mm below the top of the posts.

There's 3 methods for fixing rails. Rails can be (a) face-fixed to posts ... (b) Cut between posts ... or (c) checked in the rails. Where possible try to make each rail span one post.

Once the framework is completed we suggest you paint the framework and the palings now. This will save time and a lot of effort at a later stage. We strongly recommend **THOMPSON & WHITE** Timber Care range as they offer the best protection from the weather and come in fashionable colours as well.

### RAIL SIZES

Spacing between Posts	Treated Sawn Pine	Treated Hardwood
Up to 1800mm	75mm X 50mm	75mmx38mm
1200mm - 1800mm	75mm X 50mm	75mmx38mm



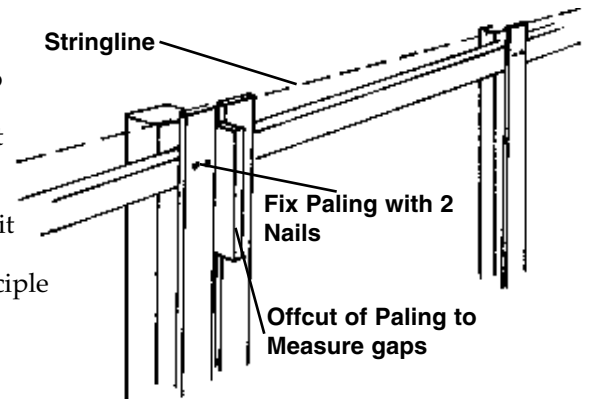
## Step 6: Fixing of Palings

At your corner post fix one paling to your finished height then move to the other end of your fence and fix one paling at the same height. String a line over the top of the 2 palings and pull tight. Attach the rest of your palings using the stringline as a guide for the height position.

A simple method for even spacing is to use an offcut of a paling. Turn it on its side butt it up against the fixed paling and push the next paling hard against it and fix. That will give you a 15mm gap. The same principle applies when working on a sloping fence.

Fixing your palings with 2 nails in each rail section.

When you paint your fence, there's no problem painting over CCA. Just a pply as if you were using untreated timber. And remember, it's much easier to paint your timber before you erect it.



### Handy Hints

\* As soon as the timber arrives it should be stacked at least 150mm off the ground. Make sure the stack is level and pieces remain straight.

\* Follow manufacturer's instructions when you use stains and paints and make sure they're compatible with the timber and galvanised fittings.

\* Allow a 40mm-50mm gap between the bottom of the palings and ground.

\* You must paint your fence to protect it from the weather.

\* All fixings (bolts, nails, screws) should be hot-dipped galvanised to prevent unsightly rust stains.

\* After six months, tighten any bolts and coach screws to compensate for any timber shrinkage.

To order your Timber and Drainage Supplies or for further questions answered, please give us a call on 3373 4900 We're here to **SERVE YOU** and **DELIVER** to you 7 days a week



When you want it today and on time!

We're open 7 days a week  
Mon-Sat 6am-5pm  
Sun & Pub Hols 8am - 4.30pm

26 Sumners Road, Darra,  
Phone 3373 4900

website - [www.centenarylandscaping.com](http://www.centenarylandscaping.com)